



PCB Information Package Tait Orca

**SUB VHF PCB LAYOUT - 66-88 MHz
220-01616-07**

This PCB Information Package contains the following information for the sub-VHF 66-68 MHz Tait Orca:

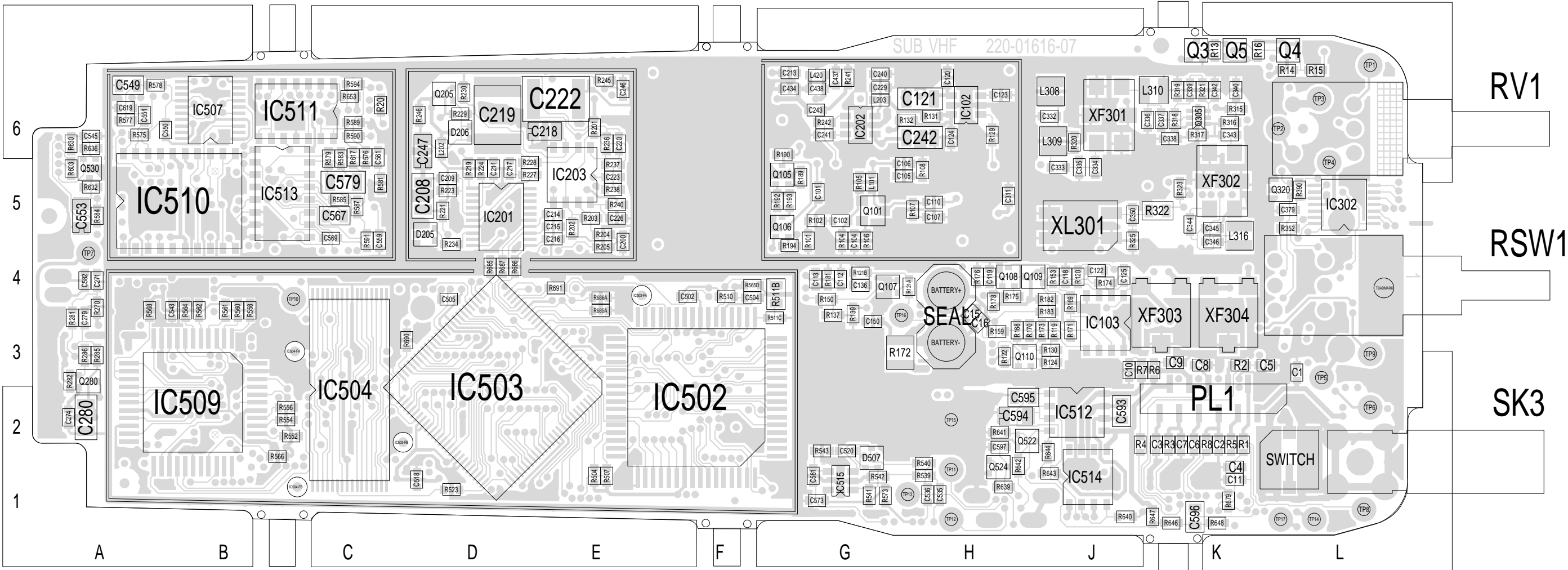
- [PCB layouts](#)
- [circuit diagrams](#).

Click on the links above or the bookmarks at the side to go to the relevant page.

AUDIO

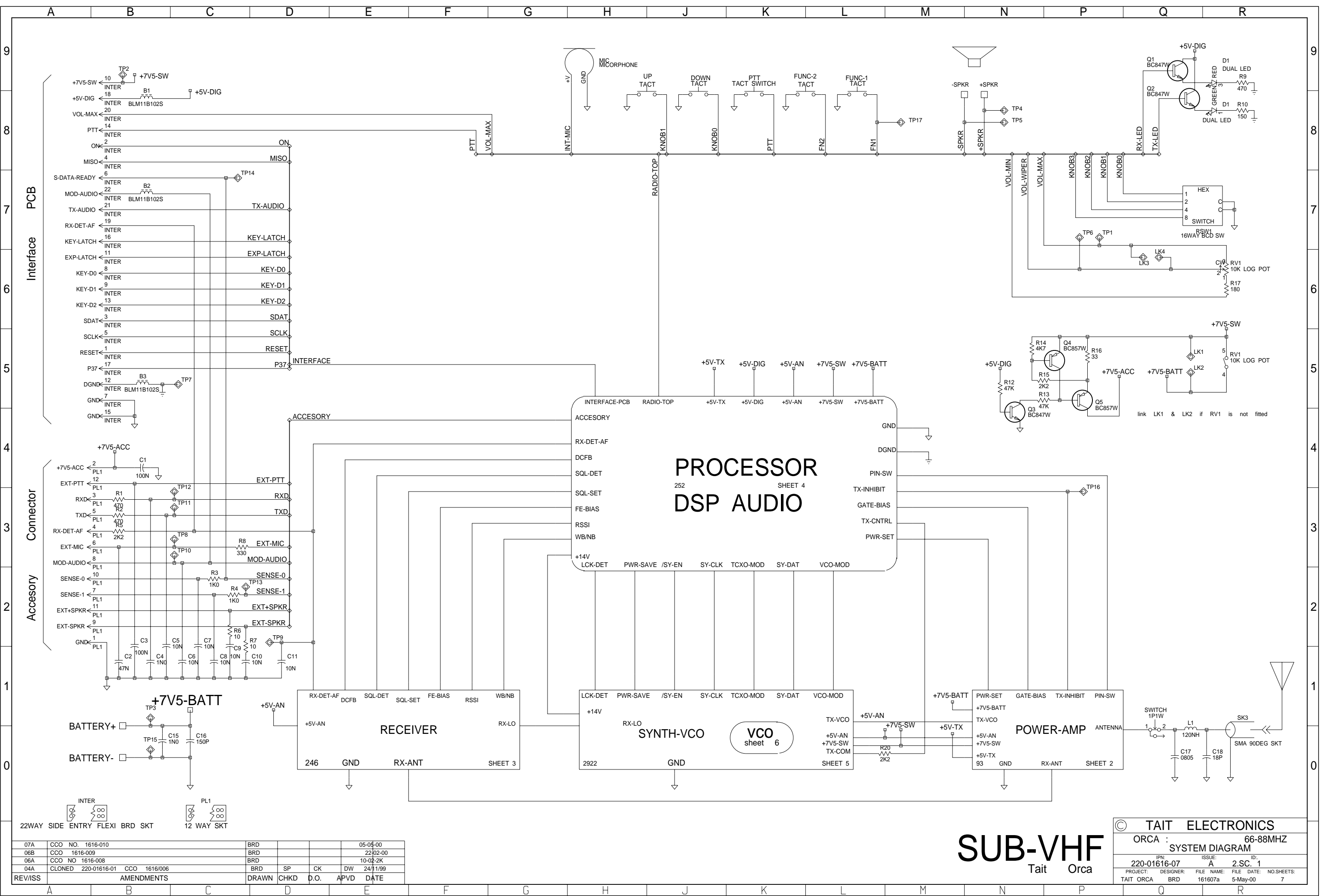
SYNTH

PA-EX



TAIT ELECTRONICS IPN: 220-01616-07 ISS: A ID: 1.TA DATE: 4 May 2000
 SUB VHF PCB LAYOUT - TOP SIDE

Scale: 2.3:1 ; Rotation: 0 degrees

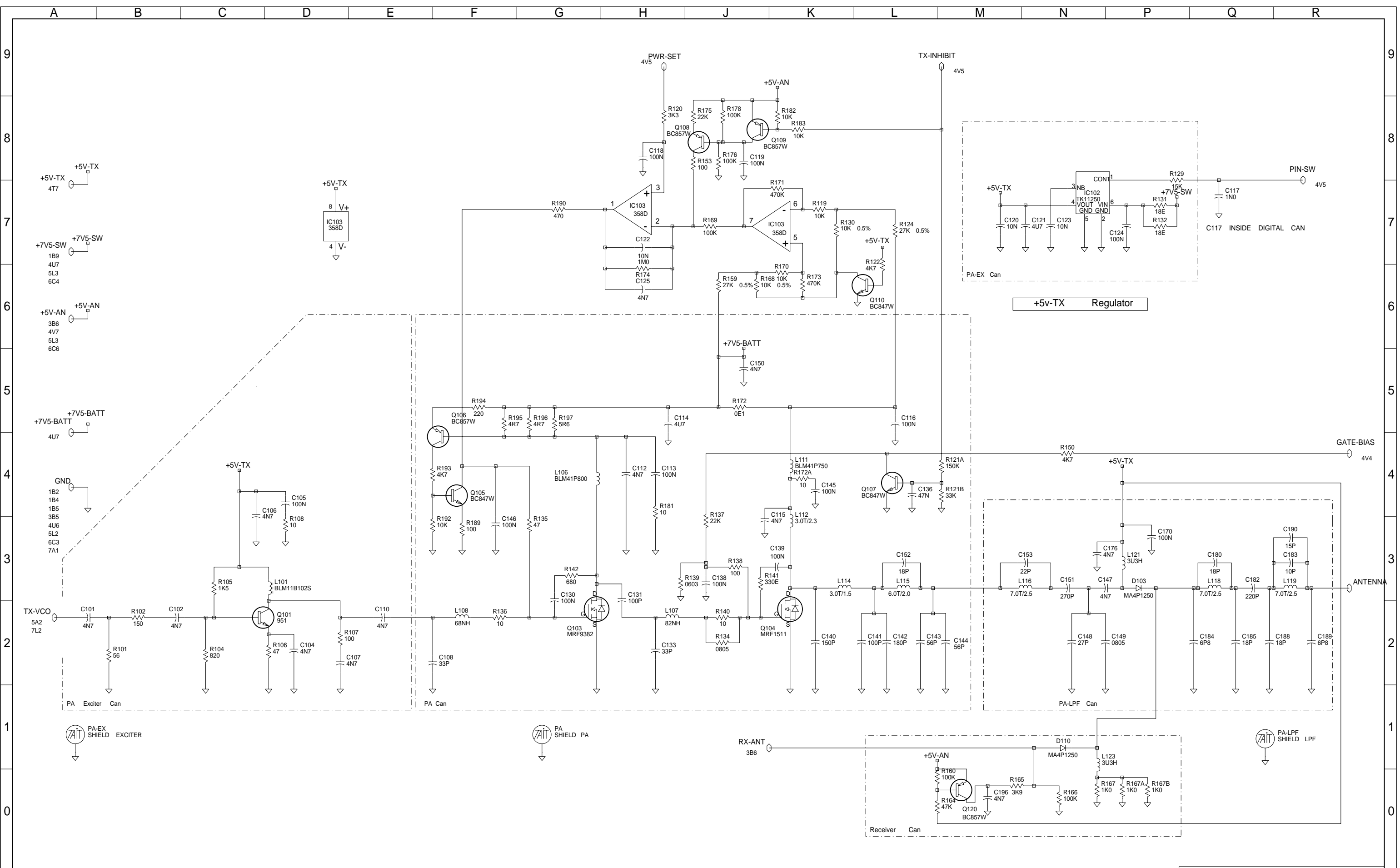


SUB-VHF

Tait Orca

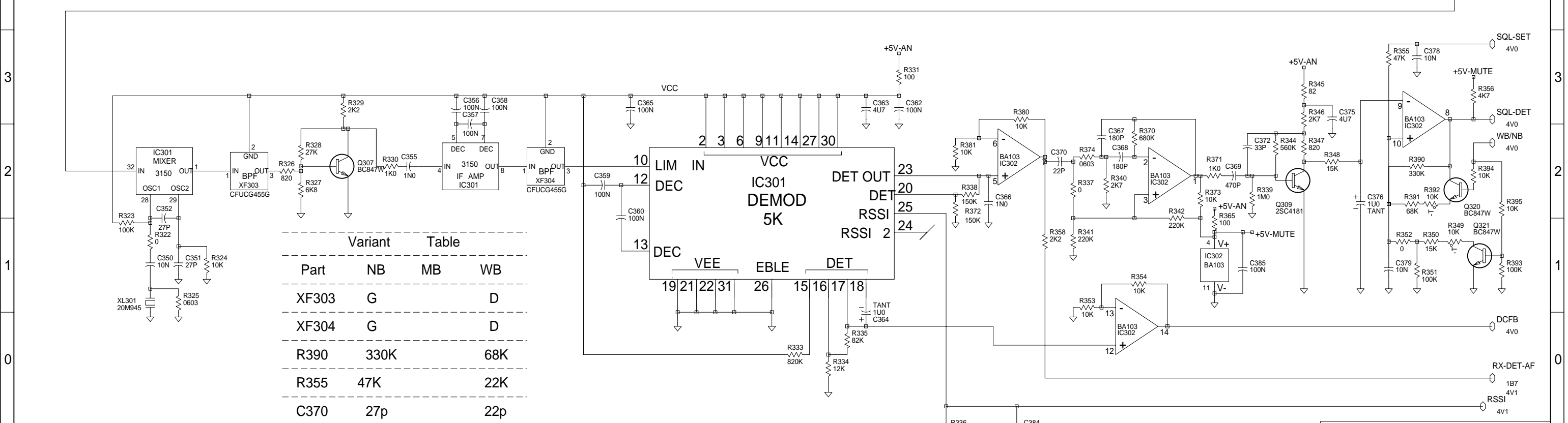
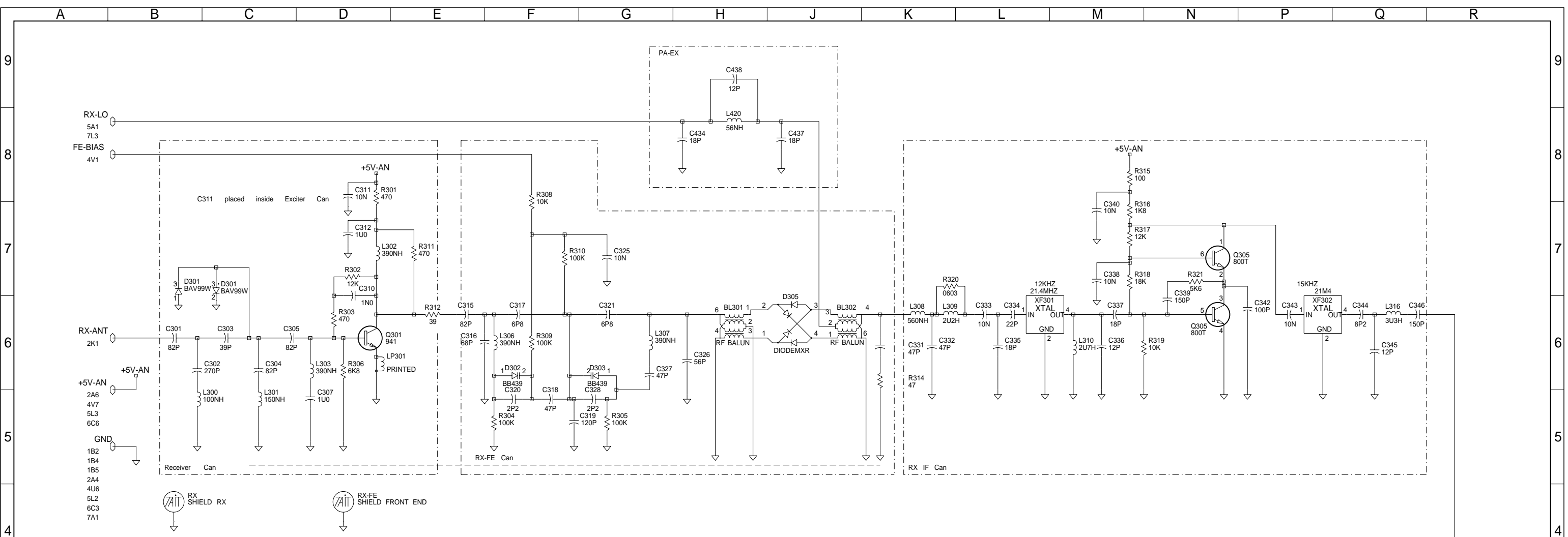
© TAIT ELECTRONICS	
ORCA :	66-88MHZ
SYSTEM DIAGRAM	
IPN: 220-01616-07	ISSUE: A
DESIGNER: TAIT ORCA	FILE DATE: 5-May-00
BRD: 161607a	NO. SHEETS: 7

07A	CCO NO. 1616-010	BRD		05-05-00
06B	CCO 1616-009	BRD		22-02-00
06A	CCO NO 1616-008	BRD		10-02-2K
04A	CLONED 220-01616-01 CCO 1616/006	BRD	SP CK DW	24/11/99
REV/ISS	AMENDMENTS	DRAWN	CHKD	D.O. APVD DATE



© TAIT ELECTRONICS	
ORCA :	66-88MHZ
POWER AMPLIFIER	
IPN: 220-01616-07	ISSUE: A
DESIGNER: TAIT ORCA	FILE DATE: 5-May-00
BRD: 161607a	NO.SHEETS: 7
FILE NAME: 220-01616-07	ID: 2.SC. 2

REV/ISS	AMENDMENTS	DRAWN	CHKD	D.O.	APVD	DATE
A						

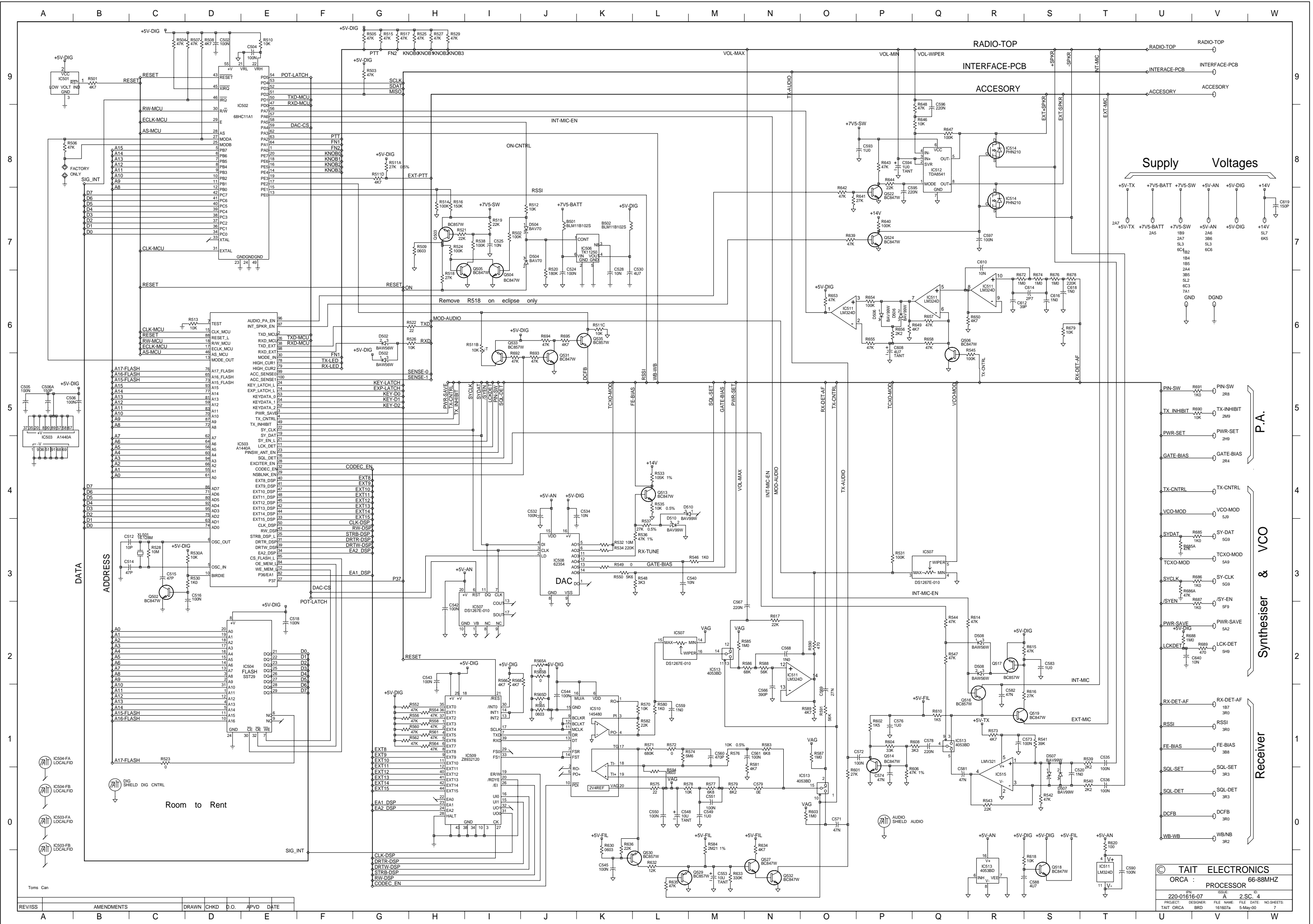


Variant Table

Part	NB	MB	WB
XF303	G		D
XF304	G		D
R390	330K		68K
R355	47K		22K
C370	27p		22p
C369	470p		330p

© TAIT ELECTRONICS
 ORCA : RECEIVER 66-88MHZ
 IPN: 220-01616-07 ISSUE: A 2.S.C. 3
 PROJECT: TAIT ORCA BRD DESIGNER: FILE NAME: 161607a DATE: 5-May-00 NO.SHEETS: 7

REV/ISS	AMENDMENTS	DRAWN	CHKD	D.O.	APVD	DATE



REV/ISS	AMENDMENTS	DRAWN	CHKD	D.O.	APVD	DATE

© TAIT ELECTRONICS
 ORCA : PROCESSOR 66-88MHZ
 220-01616-07 2-SC 4
 PROJECT DESIGNER FILE NAME FILE DATE NO SHEETS
 TAIT ORCA BRD 161607a 5-May-90 7

Toms Can

Room to Rent

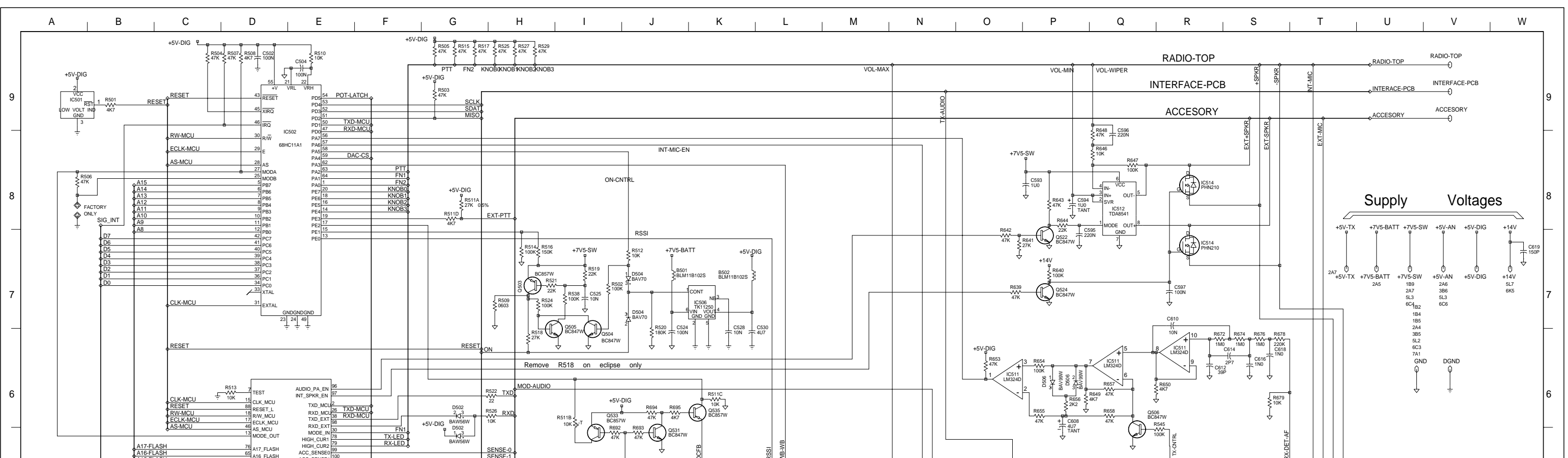
- IC504-FA LOCALFID
- IC504-FB LOCALFID
- IC503-FA LOCALFID
- IC503-FB LOCALFID

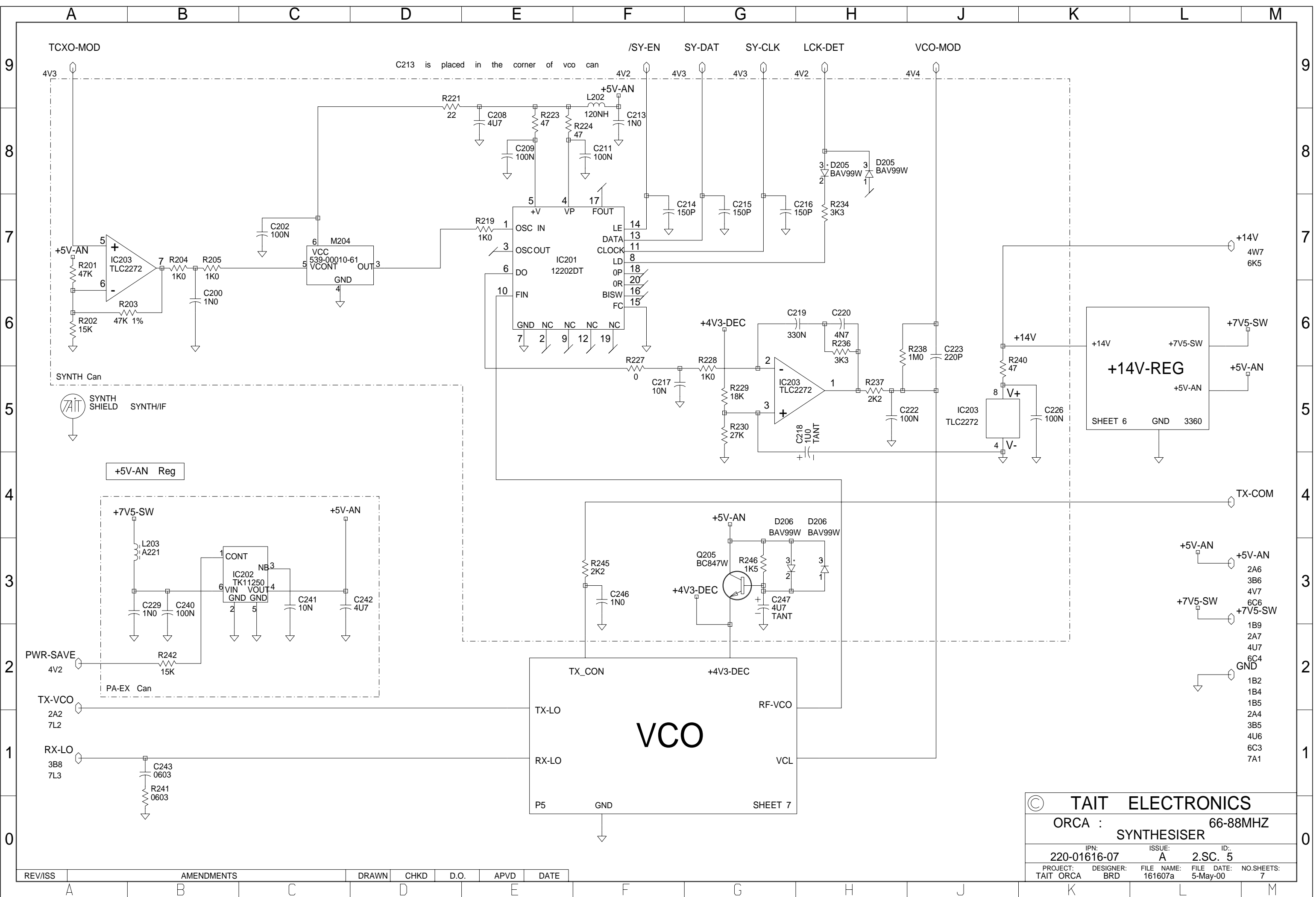
- PIN-SW 28R
 - TX-INHIBIT 28R
 - PWR-SET 28R
 - GATE-BIAS 28R
 - TX-CNTRL 28R
 - VCO-MOD 510
 - SY-DAT 509
 - TCXO-MOD 549
 - SY-CLK 509
 - SY-EN 509
 - PWR-SAVE 542
 - LCK-DET 549
 - RX-DET-AF 380
 - RSSI 380
 - FE-BIAS 388
 - SOL-SET 383
 - SOL-DET 383
 - DCFB 380
 - WB-WB 382
- Receiver**
- Synthesiser & VCO**
- P.A.**

Supply Voltages

- +5V-TX 2A7
- +7V5-BATT 2A5
- +7V5-SW 1B9
- +5V-AN 2A6
- +5V-DIG 5L3
- +14V 6C4
- +14V 6K5

- A17-FLASH 78
- A16-FLASH 69
- A15-FLASH 73
- A15 77
- A14 81
- A13 81
- A12 81
- A11 81
- A10 81
- A9 81
- A8 81
- A7 81
- A6 81
- A5 81
- A4 81
- A3 81
- A2 81
- A1 81
- A0 81

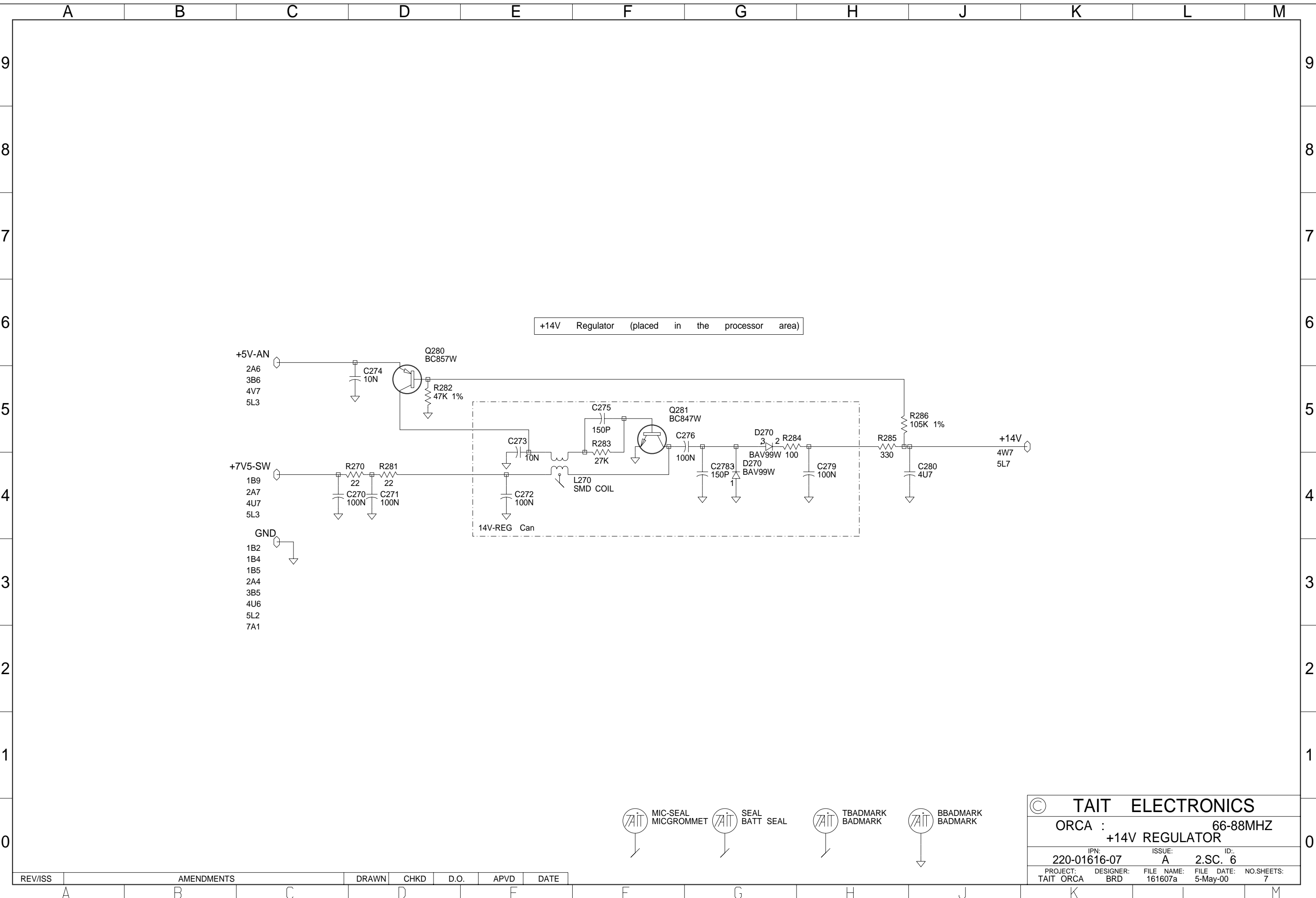




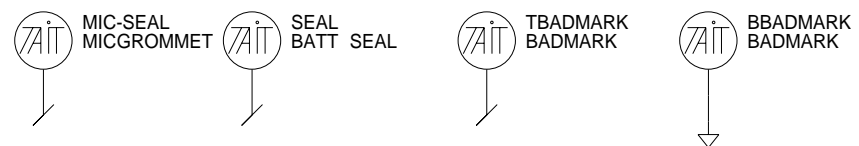
© TAIT ELECTRONICS
 ORCA : 66-88MHZ SYNTHESISER
 IPN: 220-01616-07 ISSUE: A ID: 2.SC. 5
 PROJECT: TAIT ORCA DESIGNER: BRD FILE NAME: 161607a FILE DATE: 5-May-00 NO.SHEETS: 7

REV/ISS	AMENDMENTS	DRAWN	CHKD	D.O.	APVD	DATE

- +5V-AN 2A6
- +5V-AN 3B6
- 4V7 4V7
- +7V5-SW 6C6
- +7V5-SW 1B9
- 2A7 2A7
- 4U7 4U7
- 6C4 6C4
- GND 1B2
- 1B4 1B4
- 1B5 1B5
- 2A4 2A4
- 3B5 3B5
- 4U6 4U6
- 6C3 6C3
- 7A1 7A1

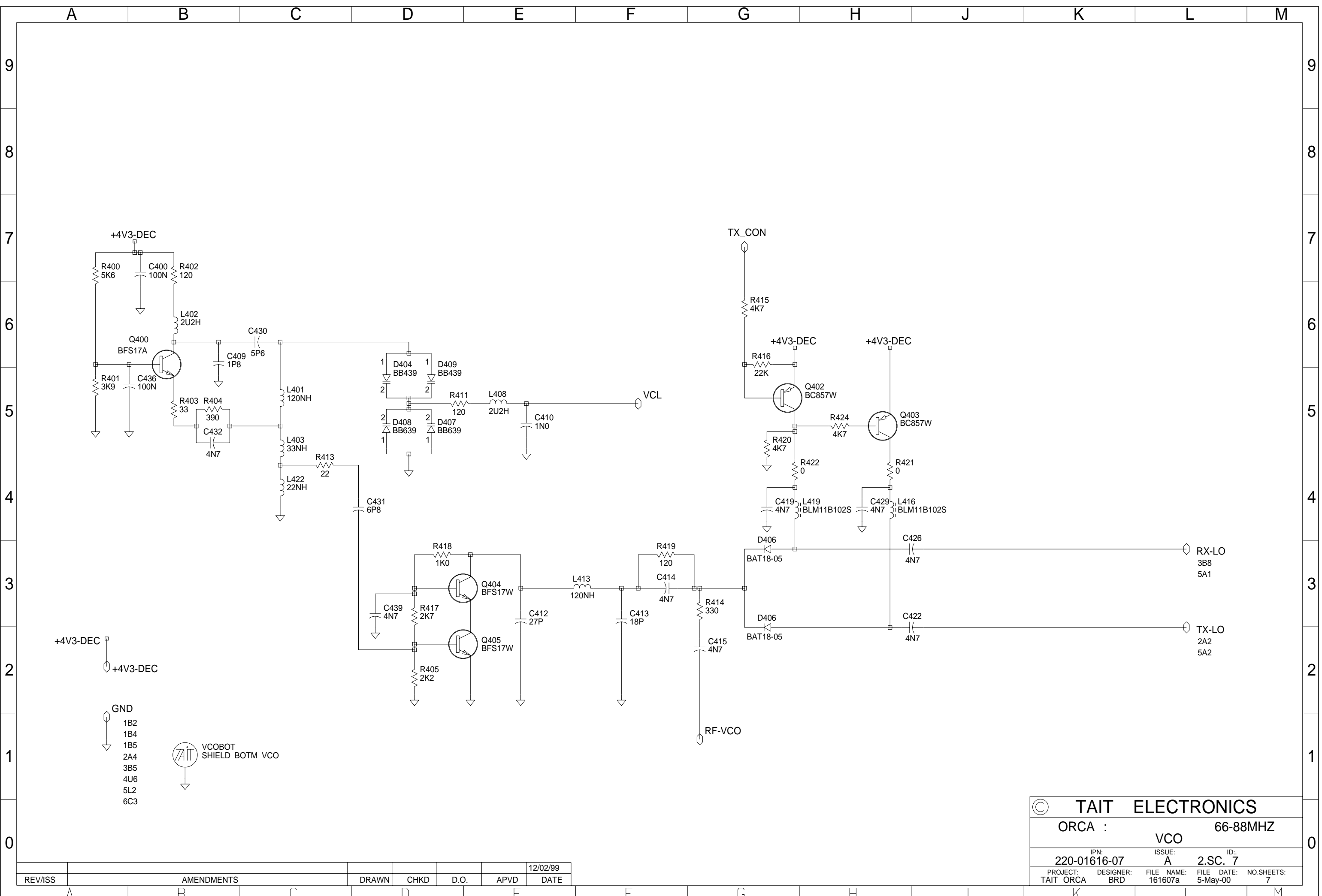


+14V Regulator (placed in the processor area)



© TAIT ELECTRONICS	
ORCA : 220-01616-07	66-88MHZ +14V REGULATOR
IPN: A	ID: 2.SC. 6
PROJECT: TAIT ORCA	DESIGNER: BRD
FILE NAME: 161607a	FILE DATE: 5-May-00
	NO.SHEETS: 7

REV/ISS	AMENDMENTS	DRAWN	CHKD	D.O.	APVD	DATE
---------	------------	-------	------	------	------	------



© TAIT ELECTRONICS	
ORCA :	VCO 66-88MHZ
IPN: 220-01616-07	ISSUE: A ID: 2.SC. 7
PROJECT: TAIT ORCA	DESIGNER: BRD FILE NAME: 161607a FILE DATE: 5-May-00 NO.SHEETS: 7

REV/ISS	AMENDMENTS	DRAWN	CHKD	D.O.	APVD	DATE
						12/02/99